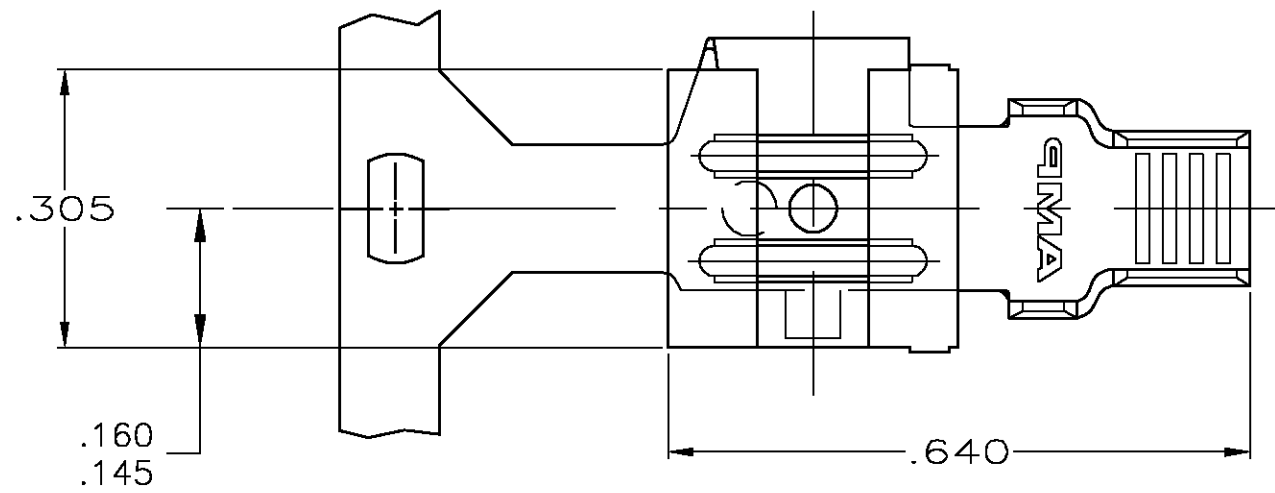
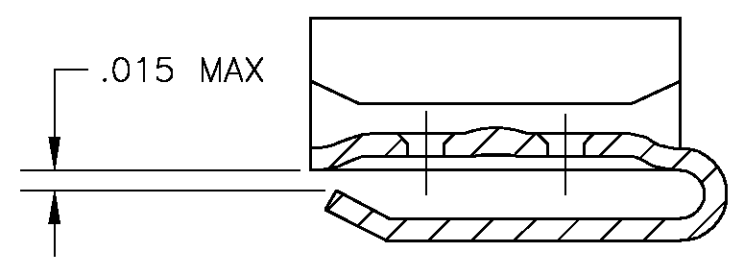
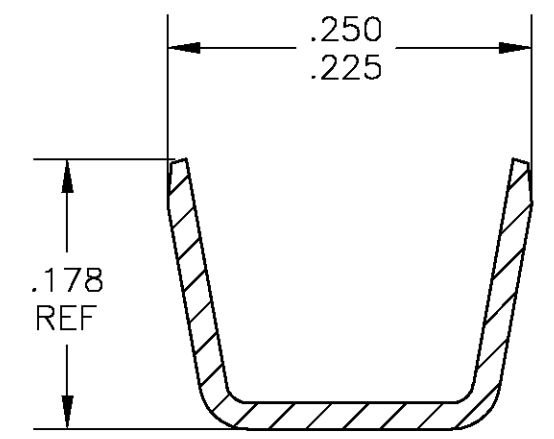
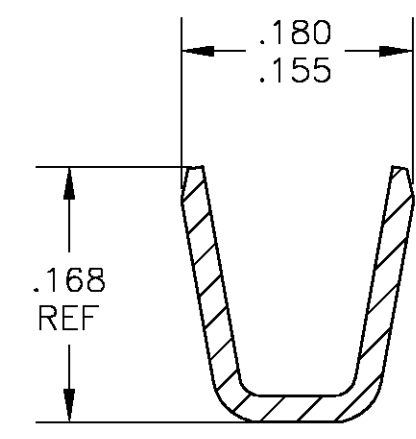
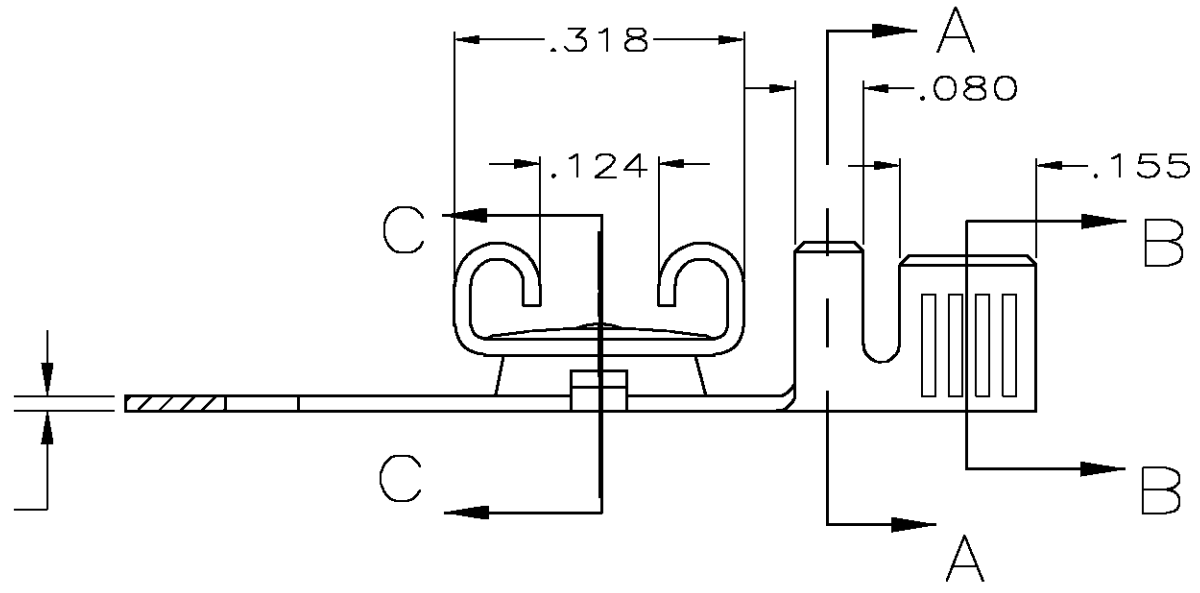


THIS DRAWING IS UNPUBLISHED. RELEASED FOR PUBLICATION  
 © COPYRIGHT BY TYCO ELECTRONICS CORPORATION. ALL RIGHTS RESERVED.

LOC	DIST	REVISIONS			
P	LTR	DESCRIPTION	DATE	DWN	APVD
AF	50	B	REL PER OG3A-0117-03	19FEB03	JR PD



- 1 CONTINUOUS STRIP ON REELS
- 2 WIRE SIZE IS 16-12 AWG
- 3 MATING TAB THK IS  $.032 \pm .001$
- 4 INSULATION RANGE IS  $.130-.170$  DIA.



1217911-1  
PART NO

THIS DRAWING IS A CONTROLLED DOCUMENT.		DWN JR RUTH 18DEC02	Tyco Electronics Corporation Harrisburg, PA 17105														
DIMENSIONS: INCHES		CHK P DESANTIS 18DEC02	NAME RECEPTACLE, FASTON, FLAG, REVERSIBLE, .250 SERIES														
TOLERANCES UNLESS OTHERWISE SPECIFIED:		APVD P DESANTIS 18DEC02	PRODUCT SPEC -														
<table border="0"> <tr><td>0 PLC</td><td>± -</td></tr> <tr><td>1 PLC</td><td>± -</td></tr> <tr><td>2 PLC</td><td>± -</td></tr> <tr><td>3 PLC</td><td>± .010</td></tr> <tr><td>4 PLC</td><td>± -</td></tr> <tr><td>ANGLES</td><td>± -</td></tr> </table>		0 PLC	± -	1 PLC	± -	2 PLC	± -	3 PLC	± .010	4 PLC	± -	ANGLES	± -	APPLICATION SPEC 114-2032	SIZE A3	CAGE CODE 00779	DRAWING NO 1217911
0 PLC	± -																
1 PLC	± -																
2 PLC	± -																
3 PLC	± .010																
4 PLC	± -																
ANGLES	± -																
MATERIAL H04 BRASS		FINISH -	WEIGHT -	RESTRICTED TO -													
CUSTOMER DRAWING			SCALE 5:1	SHEET 1 OF 1	REV B												